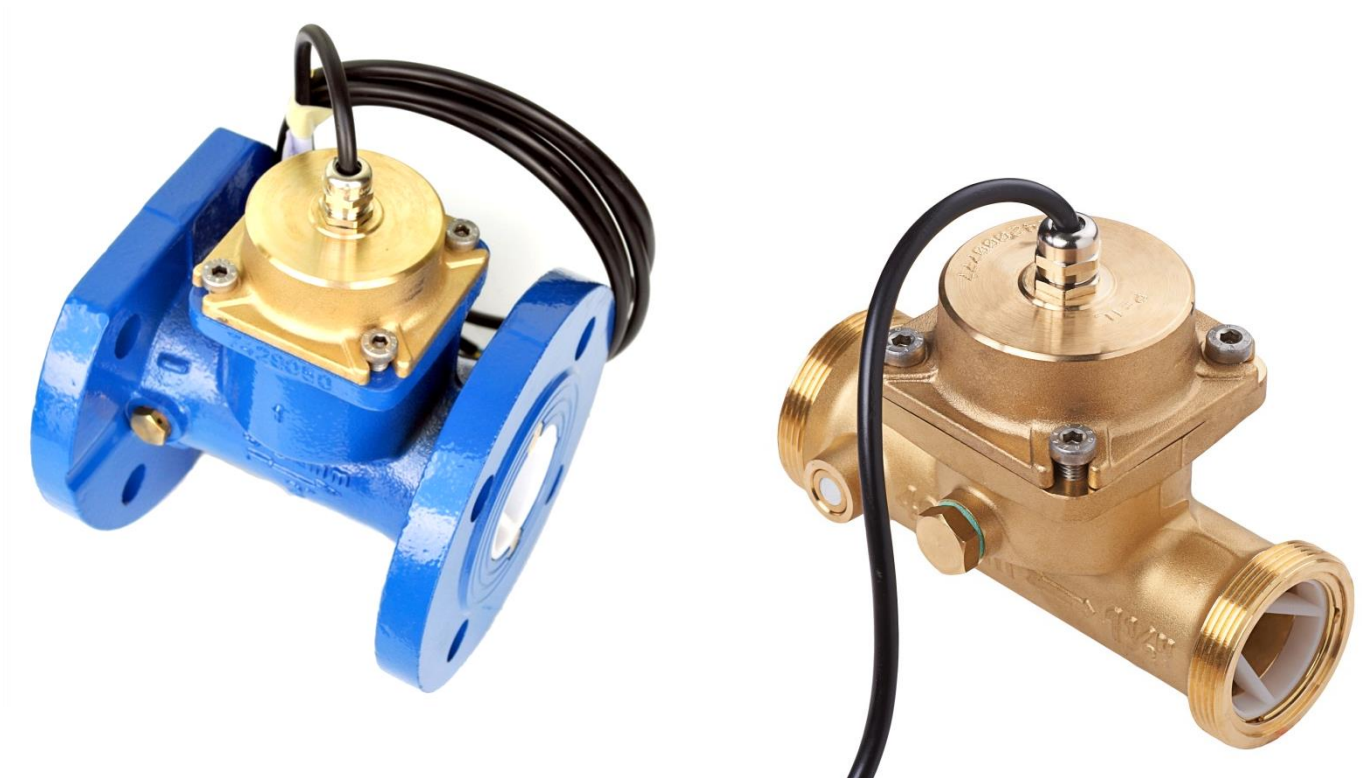


Industry

WMAC PULSED WOLTMANN METER



WMAC pulsed Woltmann meter

Axial helix meter with pulse output,
designed for industrial applications.

BLIND WOLTMANN METER

WMAC is a Woltmann meter designed for cold water (a version for hot water is also available).

Mechanical drive design, insensitive to external magnetic fields.

Hydraulic performance in compliance with EEC standards. The meters undergo strict and highly selective tests.

Suitable for horizontal, vertical or inclined installation positions.

Suitable for use with scaling water or containing small debris.

Minimum head loss even at relatively high flow rates.

Pulse rate: one pulse per litre (K=1).

TECHNICAL SPECIFICATIONS

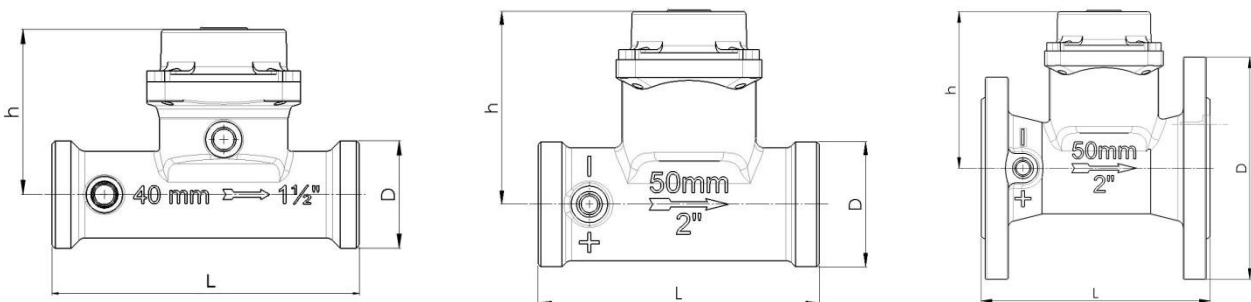
- Brass body (DN 40) or epoxy coated cast iron body (DN 50; threaded or flanged (DN 50 mm) design
- Non-hygroscopic, antimagnetic and wear resistant plastic helix
- Built-in inlet flow straightener

HYDRAULIC PERFORMANCE

SIZE	mm	40	50
	in.	1" 1/2	2"
Q _{max}	m ³ /h	20	30
Q _n	m ³ /h	10	15
Q _t	m ³ /h	2.5	3
Q _{min}	m ³ /h	0.9	1.2
Nominal pressure	bar	10/16	10/16

DIMENSIONS

L	mm	170	170
D threaded design	in.	2"	2" 1/2
D flanged design	mm	--	165
h threaded design	mm	91.5	116.2
h flanged design	mm	--	116.2



REED SWITCH TECHNICAL FEATURES

Switching voltage	30 V dc/ac
Contact resistance	100 MΩ
Insulation resistance	10 ¹¹ Ω
Operating temperature	-90 °C ÷ +40 °C
Service life	10 ⁹ operations



MADDALENA spa
Via G.B. Maddalena 2/4
33040 Povoletto (Udine)
Tel. +39 0432 634811
Fax +39 0432 679820
info@maddalena.it
www.maddalena.it

